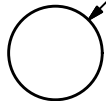


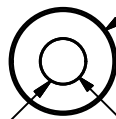
LED SCHEMATIC

RECOMMENDED
PANEL MOUNTING
1-6mm THICKNESS



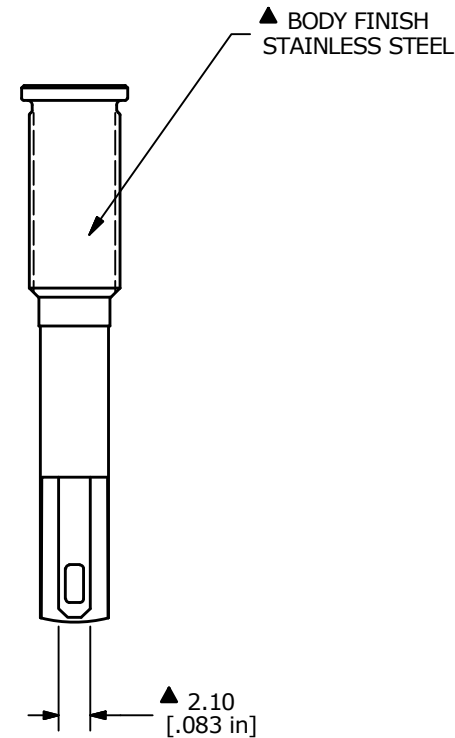
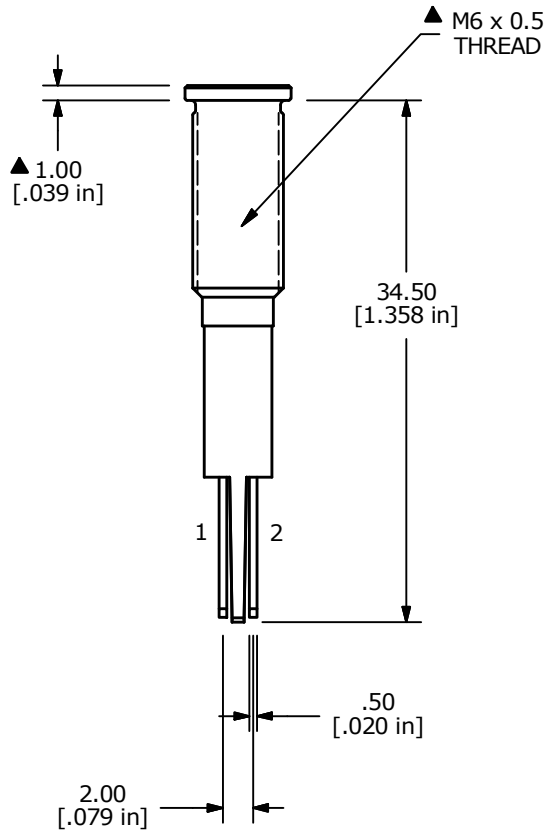
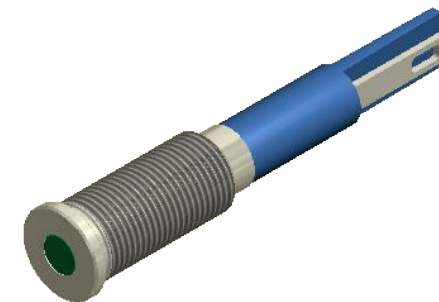
ø6.20
[.244 in]

▲ GREEN LENS



ø7.00
[.276 in]

ø3.00
[.118 in]



- NOTE:
1. ALL DIMENSIONS IN MM [INCH]
 2. GENERAL TOLERANCE: X.X = ±0.4
X.XX = ±0.25
 3. TERMINAL NUMBERS FOR REF ONLY
 4. OPERATING TEMP: -25°C to 55°C
 5. CURRENT RATING: 2mA-20mA
 - ▲ 6. LAMP VOLTAGE: 2.8V
 7. IP RATING: IP67
 8. ▲ DENOTES CRITICAL PARAMETER.
 9. HARDWARE SUPPLIED: O-RING AND HEXNUT
 10. 2011/65/EU (ROHS) COMPLIANT.



A	22481	NEW RELEASE	9/2/16	MJR
REV	PCR NO	DESCRIPTION	DATE	BY

TITLE PVL06FLS31				
SCALE	DATE	DR	DWG	REV
2:1	9/2/2016	MJR	52-PVL06FLS31	A

THE INFORMATION CONTAINED IN THIS DOCUMENT IS PROPRIETARY TO E-SWITCH AND IS NOT TO BE COPIED OR TRANSFERRED